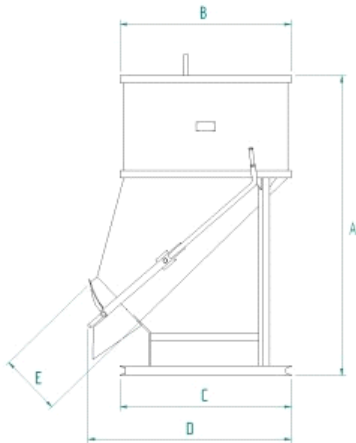


## CONCRETE BUCKETS

### Concrete bucket with side unloading

BF Model

Concrete bucket with a fast side unloading  
Opening with lever  
Option: forklift or telehandler predisposition



MODEL	CAPACITY (Lt)	DIMENSIONS (mm)					CAPACITY (kg)	WEIGHT (kg)
		A	B	C	D	E		
BF-30	300	1185	935	935	1109	300	780	110
BF-50	500	1510	935	935	1109	300	1300	120
BF-75	750	1781	1170	1170	1390	420	1950	200
BF-99	1000	2041	1170	1170	1390	420	2600	225
BF-150	1500	1990	1492	1492	1600	420	3900	400
BF-200	2000	2290	1492	1492	1600	420	5200	460